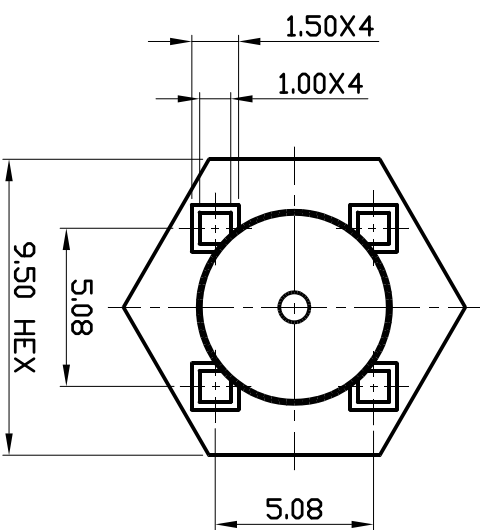
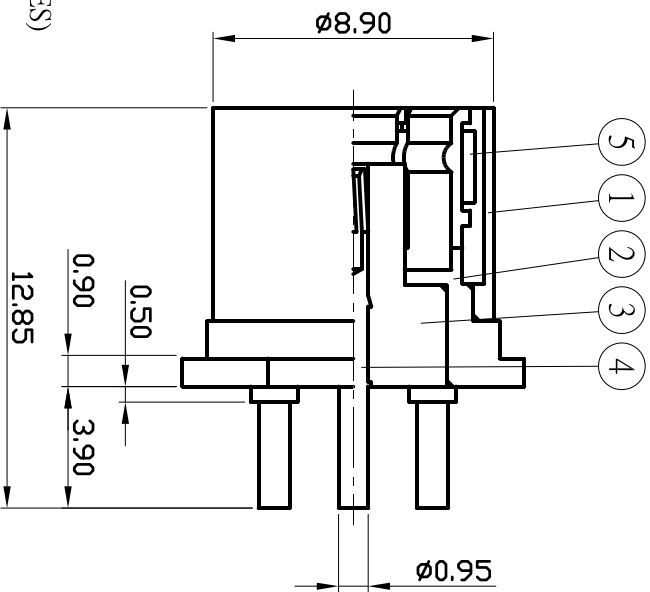


Mounting Hole



NOTES: FINISH (PLATING THICKNESS IN MICRO-INCHES)

1. BRASS PER JIS H3250 C3604BD.
2. INSULATOR: PTFE ASTM-D-1457.
3. BERYLLIUM COPPER QQ-C-530.  
HEAT TREAT TO 315°C FOR 2 HOURS.
4. GOLD PL. 3 MIN. OVER NICKEL PL. 50 MIN.  
OVER COPPER PL. 50 MIN.
5. GOLD PL. 15 MIN. OVER NICKEL PL. 50 MIN.  
OVER COPPER PL. 50 MIN.
6. NICKEL PL. 100 MIN. OVER COPPER PL. 50 MIN.
7. FREQUENCY RANGE: DC UP 4 GHz.
8. VSWR: 1GHz 1.15, 2.5GHz 1.25, 4GHz 1.38.

NO.	DESCRIPTION	MATERIAL	FINISH	QTY	PART NO.
5	RETAINER RING	NOTE 3	NOTE 6	1	SMZ11-RING
4	CONTACT PIN	NOTE 3	NOTE 5	1	SMZ19-75-4
3	INSULATOR	NOTE 2		1	SMZ19-75-3
2	BODY	NOTE 1	NOTE 4	1	SMZ19-75-2
1	SHELL	NOTE 1	NOTE 4	1	SMZ19-75-1

DIMENSION ARE MILLIMETERS  
UNLESS OTHERWISE SPECIFIED  
TOLERANCES

1-10 =  $\pm 0.2$   
10-30 =  $\pm 0.4$   
30-200 =  $\pm 1.5$   
200-1000 =  $\pm 10$   
1000-~ =  $\pm 25$

SCALE  
4 / 1

REV  
-

UNIT  
M/M

TITLE  
SMZ PLUG P.C.B MOUNT

DRAWING NO.

SMZ19-75

CHECKED  
DRAWN

科曼實業有限公司  
Interconn enterprise

05/22/2007

DATE

05/22/2007

DATE